

Tracoe Vario – REF 460-P

Tracheostomy tube with minimally traumatic insertion system, adjustable neck flange, low-pressure cuff, scale and 15 mm connector

Product Description

Tracoe Vario is a soft, flexible tube with an adjustable neck flange. By means of a practical push-button mechanism, the flange can be moved and individually adjusted for each patient. In this way, the correct length can be achieved. A scale ensures the exact positioning of the neck flange in preparation for a tube change. The flange is then locked in place by moving the orange lever upward. Locking with a twist lock is no longer necessary. Tracoe Vario tubes are made of DEHP-free, medical grade PVC and are available with and without spiral-reinforcement. The assortment includes both standard and extra-long versions.



Scope of Supply

- Obturator
- Adjustable neck strap
- Product info card with two detachable labels

General Information	
Product line	Vario
Legal manufacturer	Tracoe Medical GmbH Reichelsheimer Str. 1/3 55268 Nieder-Olm, Germany
Country of origin	Germany
Colour Coding	REF 460-P
Handling	
Shelf life	5 years, from date of production
Maximum Useful Life	29 days, from first use
Maximum Useful Life Insertion System	single-use disposable product

Packaging	
Packaging unit	1 piece
Weight	See Table
Dimensions (W x H x L)	271 x 47 x 113 mm
Material outer packaging:	Cardboard box
Material sterile packaging:	Sterile bag with medical paper and transparent heatsealable PET/PP foil

Material Specifications	
Material Outer cannula	Polyvinylchloride
Material Neck Flange	Polysulfone/ TPE
Material Cuff	Polyvinylchloride
Biocompatibility	EN ISO 10993-1

Storage	

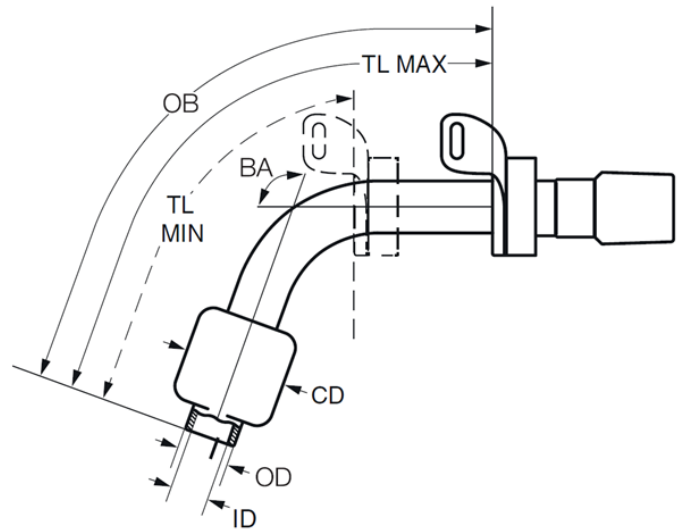
Certification	
Product classification acc. MDR	IIb
CE Marking	
GMDN	35404
Quality system certified to	EN ISO 13485
FDA registration	Clearance Number K203362

Product Range

Size	Order Number	ID	OD	TL (TL Min-TL Max)	OB	BA	CD	Gross weight	Global Trade Item Number
		mm	mm	mm	mm	°	mm	g	
07	REF 460-07-P	7.0	9.7	50.0 – 62.0	86	100	23.0	239	04035324017782
08	REF 460-08-P	8.0	11.2	54.0 – 69.0	97	100	28.0	243	04035324017799
09	REF 460-09-P	9.0	12.3	65.0 – 85.0	106	100	30.0	248	04035324017805

Legend

- ID Inner diameter at bottom of cannula
- OD Outer diameter at bottom of cannula
- TL MIN Minimum length along centre line
- TL MAX Maximum length along centre line
- OB Length along outer bend
- BA Bending angle
- CD Cuff diameter



Tracoe Medical GmbH
Reichelsheimer Str. 1 / 3
55268 Nieder-Olm
Germany



Breathing-Speaking-Living

Atos Medical AB
Hyllie Boulevard 17
215 32 Malmö
Sweden
www.atosmedical.com