

## Tracoe Twist Extract – REF 888-306

Tracheostomy tube with low pressure cuff, subglottic suction and fenestration

### Product Description

The Tracoe Twist tracheostomy tubes are used as ventilation and therapy tubes with inner cannulas in hospitals, rehabilitation, and community settings. A special feature is the curved neck flange that moves in both the vertical and horizontal axes, following the movements of the patient's head. The thin tube walls of inner and outer cannulas allow for a good inside - outside diameter ratio. Tracoe Twist and Twist Plus tracheostomy tubes are made of polyurethane (PU). The low-pressure cuff is made of medical grade PVC.



### Scope of Supply

- inner cannula with 15 mm connector
- inner cannula fenestrated with 15 mm connector
- Occlusion cap
- Perforated obturator
- 2 connectors for suctioning
- Neck strap

### General Information

Product line	Twist Extract
Legal manufacturer	Tracoe Medical GmbH Reichelsheimer Str. 1/3 55268 Nieder-Olm, Germany
Country of origin	Germany
Colour Coding	<b>REF 888-306</b>
Handling	
Shelf life	5 years, from date of production
Maximum Useful Life	29 days, from first use

### Packaging

Packaging unit	1 unit
Weight	See Table
Dimensions (W x H x L)	113 x 210 x 50 mm
Material outer packaging:	Cardboard box
Material sterile packaging:	Sterile bag with medical paper and transparent heatsealable PET/PP foil

### Material Specifications

Material Outer cannula	Polyurethane
Material Neck Flange	Polycarbonate
Material Cuff	Polyvinylchloride
Biocompatibility	EN ISO 10993-1



### Storage



### Certification

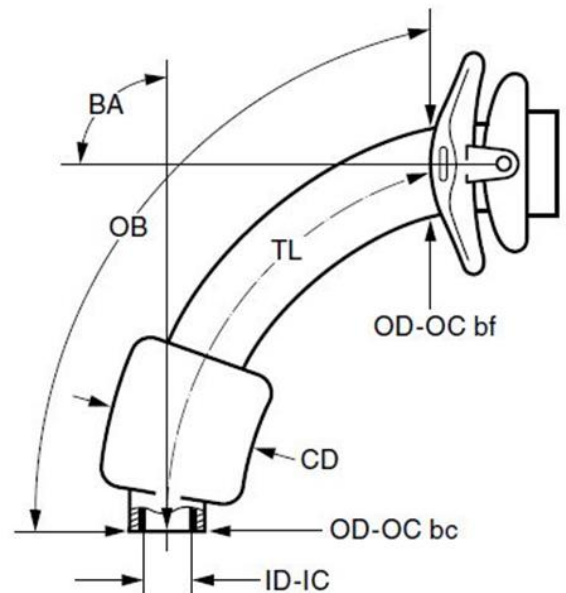
Product classification acc. MDR	IIb
CE Marking	
GMDN	35404
Quality system certified to	EN ISO 13485
FDA registration	Clearance Number K961449

## Product Range

Size	Order Number	ID-IC	OD-OC bc	OD-OC bf	TL	OB	BA	CD	Gross Weight	Global Trade Item Number
		mm	mm	mm	mm	mm	°	mm	g	
06	REF 888-306-06	6,0	9,2	10,8	72,0	79,5	95	23,0	124	4035324018833
07	REF 888-306-07	7,0	10,4	12,0	74,0	80,5	95	26,0	126	4035324018840
08	REF 888-306-08	8,0	11,4	12,7	76,0	83,0	90	28,0	127	4035324018857
09	REF 888-306-09	9,0	12,5	14,2	78,0	88,5	90	30,0	130	4035324018864
10	REF 888-306-10	10,0	13,8	15,2	80,0	89,5	90	32,0	132	4035324018871

## Legend

- ID-IC** Inside diameter at bottom of inner cannula
- OD-OC bc** Outside diameter at bottom of outer cannula
- OD-OC bf** Outside diameter of outer cannula behind the flange
- TL** Length along centre line from start of neck flange to bottom of tube
- OB** Length along outer bend from start of neck flange to bottom of tube
- BA** Bending angle
- CD** Cuff diameter



Breathing-Speaking-Living

Tracoe Medical GmbH  
Reichelsheimer Str. 1 / 3  
55268 Nieder-Olm  
Germany

Atos Medical AB  
Hyllie Boulevard 17  
215 32 Malmö  
Sweden  
[www.atosmedical.com](http://www.atosmedical.com)